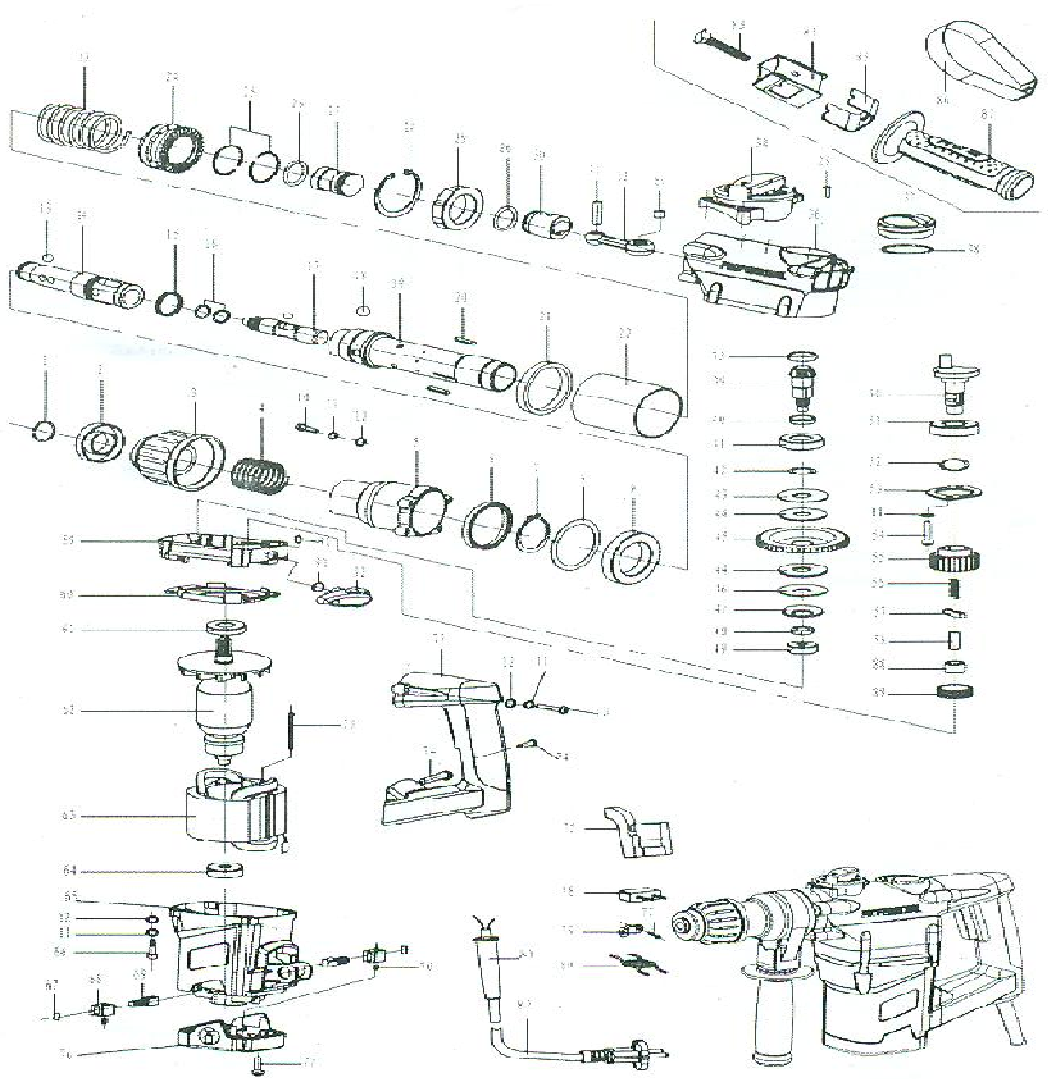


# POWER TOOLS

## PRO 1026 A - ROTARY HAMMER

Packing	Power	Specifications	Mode
3	950 W	26MM	BMC



## PRO 1026 A- ROTARY HAMMER

<b>NO.</b>	<b>Name of Spare parts</b>	<b>NO.</b>	<b>Name of Spare parts</b>
1	Steel Ring 18*2	47	Plat Washer
2	Rubber Head	48	Screw Nut M10
3	Steel Frame	49	Bearing 627-rz
4	Spring 30.2*1.8*76	50	Eccentric Shaft
5	Cylinder House	51	Bearing 6003-rs
6	Oil Seal	52	Bearing ring 17
7	Bearing Ring 35	53	Bearing Flat 6202
8	Big Washer	54	Inner Screw M5*14
9	Bearing 61907-rz	55	Small Slab Gear
10	Inner Hexagon screwM5*22	56	Pressure Spring
11	Spring Washer 5	57	Square Key
12	PlainWaher5	58	Cancel 18*18.7
13	Steel Ball 7	59	Middle Cover
14	Teleflex	60	Fan Guide
15	X Oil Seal 25.6*4	61	Bearing 6001-rs
16	O-Ring 11*2	62	Rotor
17	Imapct Hanner	63	Stator
18	Steel Ball 8	64	Bearing 608-rz
19	Cylinder House	65	Stator House
20	Flat Key3*25*16	66	inner Screw M5*50
21	Range Ring	67	Brush Cover
22	Plastic House	68	Brush
23	Big Spring 33.5*.3.5*76	69	Brush Holder
24	Gam Gear	70	Rubber Post
25	Steel Ring 28*1.6	71	Screw ST4.8*60
26	O-Ring 19*3.1	72	handle
27	Rammer	73	Small oil Seal
28	Ring 47	74	Screw SST4.2*16
29	Oil Bearing 30*47*7	75	Switch
30	Piston	76	Black Cover
31	Piston Pin	77	Screw ST4.2*16
32	Ram	78	Electric Capacity
33	Needle Bearing 0810	79	Cable Plate
34	Dial Twist	80	Inductance
35	Cross SrewM4*10	81	Cable Shield
36	Gear House	82	Cable
37	Oil Cover	83	Square-Head Screw M8*35
38	O-Ring37.5*2	84	Bracket
39	Small Gear	85	U Bracket
40	Adjusting Washer 15*19	86	Hoop
41	Bearing 6002-rs	87	Side Handle
42	Washer 14*20*0.5	88	Needle Bearing HK1216
43	Square Washer 14.5*34.5	89	Steel Bushing
44	Wearing Piece	90	Inner Bushing
45	Big Slab gear	91	O-Ring 12*2