

**POWER TOOLS**

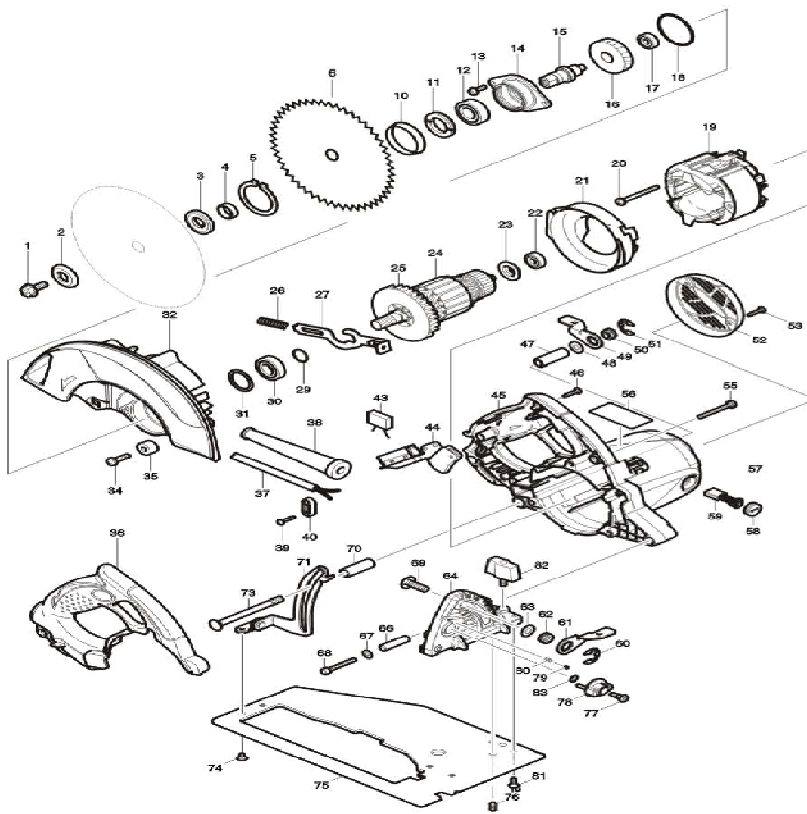
**PRO 1255 A - TABLE SAW**

Packing	Power	Specifications	Mode
2	2000W	255 MM.	BMC



Parts Breakdown

Table Saw



## PRO 1255 A- TABLE SAW

<b>NO.</b>	<b>Name of Spare parts</b>
1	Hex. Socket Hex. Bolt
2	Outer Flange
3	Inner Plange
4	Ring
5	Retaining Ring
6	Saw Blade
10	Spacer
11	Bearing Retainer
12	Ball bearing
13	Pan Head Screw
14	Bearing Box
15	Spindle
16	Helical Gear
17	Ball Bearing
18	O Ring
19	Field Assy
19	Ring
19	Connector
20	Tapping Screw Bind
21	Baffle Plate
22	Ball Bearing
23	Insulation Washer
24	Armature Assy
24	INC
024A	Armature Assy
024A	INC
25	Fan
26	Compression Spring
27	Shaft Lock
29	Flat Washer
30	Ball Bearing
31	Urethane Washer
32	Blade Case Complete
32	Rubber Pin
32	Scale Lable
34	Name?
35	Rubber Sleeve
36	Handle Cover
37	Owner Supply Cord AWG
38	Cord Guard
39	Tapping Screw Bind
40	Strain Relief
44	Switch
45	Motor Housing Complete
45	Brush Holder

<b>NO.</b>	<b>Name of Spare parts</b>
46	Caution Label
46	Tapping Screw Bind
47	Pipe
48	Flat Washer
49	Lever Plate
50	Hex Nut M
51	Bow Stop Ring E
52	Rear Cover
53	Tapping Screw
55	pan Head Screw M
56	name Plate
57	Front Grip
58	Brush Holder Cap
59	Crabon Brush CB
60	Bow Stop Ring E
61	lever Plate
62	Hex. Nut M
63	Flat Washer
64	Angular Platre Complete
66	Sleeve
67	Flat Washer
68	Hex. Socket Head Bolt
69	At Headsquare NeckBolt
70	Pipe
71	Depth Guide Complete
73	Cap Square neck Bolt
74	Name?
75	Base
76	I.B. Screw (Flat Point)
77	Name?
78	Dial
79	Steel Ball
80	Compression Spring
81	Countersunk Head Screw
82	Screw
83	Flat Washer