

POWER TOOLS

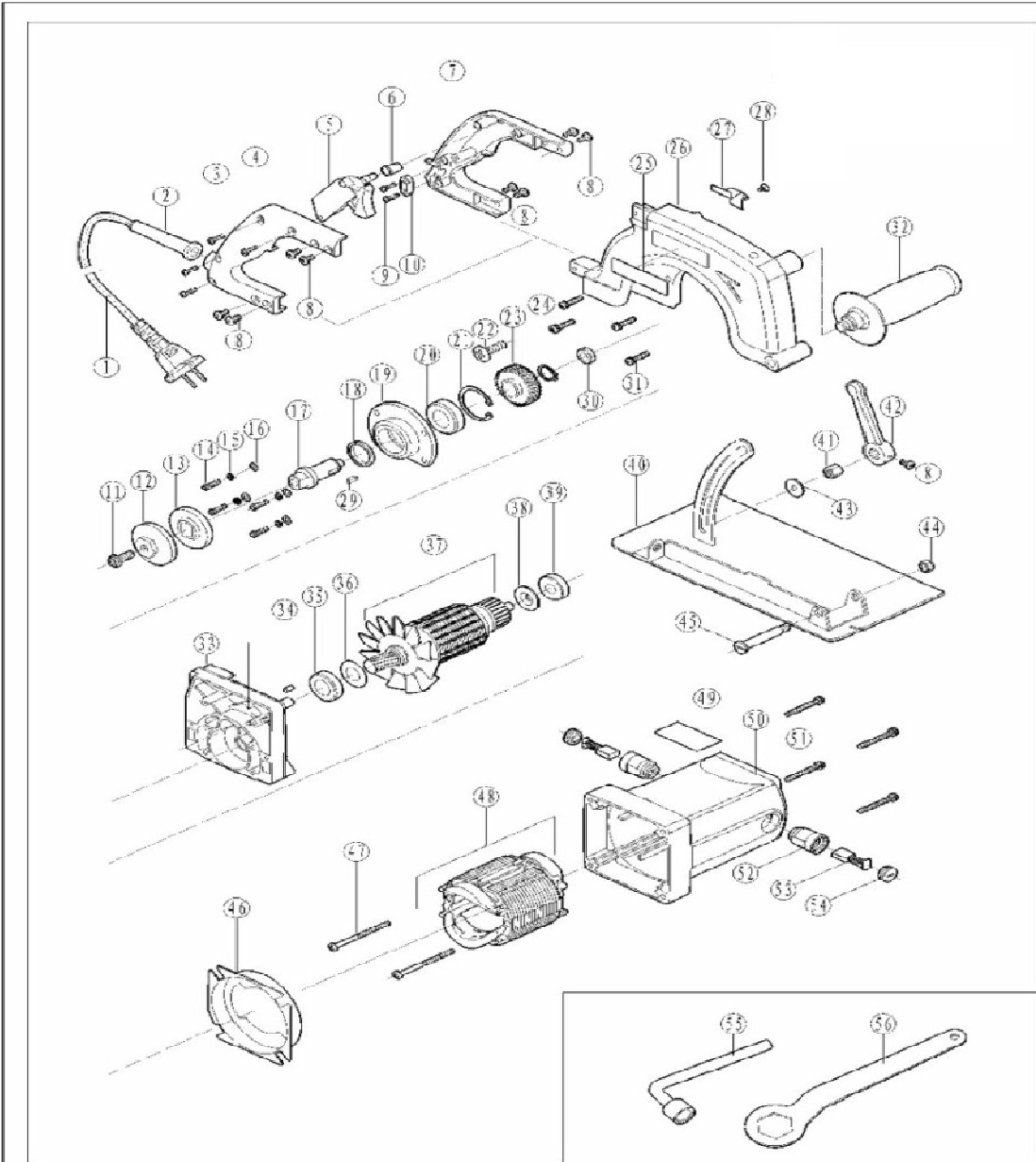
PRO 1418 A - MARBLE CUTTER

Packing	Power	Specifications	Mode
2	2000 W	180 MM	COLOR BOX

PRO TOOLS
 PROFESSIONAL DESIGN SERIES
 BY YKING TOOLS MFG. CO. LTD

Parts Breakdown

Marble Cutter



PRO 1418 A- MARBLE CUTTER

NO.	Name of Spare parts	NO.	Name of Spare parts
1	Power Line 2x1x2.5	31	Screw M5x20
2	Power Cord PVC	32	Side Handle
3	Screw ST4x16	33	Bearing Holder
4	Right Handle	34	Rubber Foo 6.5
5	Switch	35	Ball Bearing 6003-2RZ/C&U
6	Switch Cover	36	Plain Washer 17x33x1
7	Left Handle	37	Rotor
8	Screw M5 x 10	38	Creeping Washer
9	Screw ST4x14	39	Bearing 6200-2RZ/C&U
10	Line Platen	40	Base Board
11	Hexagon Flange Bolt MB x 20	41	Nut MB
12	Outer Flange	42	Lookinf Spanner
13	Inner Flange	43	Plain Washer 8x22x2
14	Screw M5 x 16	44	Locknet M8
15	Spring Washer 5	45	Dowel
16	Washer 5	46	Baffle Plate
17	Out Put Shaft	47	Screw ST5x75
18	Rubber Seal Ring	48	Stator
19	Front Cover	49	Power Brand
20	Ball Bearing 6203-2RS/SYBS	50	Plastic Motor Housing
21	Circlip for Shaft 40	51	Screw M5 x 40
22	Nut M8 x 25	52	Carbon Brush Cover
23	Big Gear	53	Carbon Brush 16x13.5x6.5
24	Washer on shaft 17	54	Carbon Brush Holder
25	Trademark	55	Spanner 13
26	Aluminum Gearing Housing	56	Side Handle
27	Cord Guard		
28	Screw M4 x 8		
29	Wood Ruff Key 4x13		
30	Ball bearing 698-2RS/SYBS		