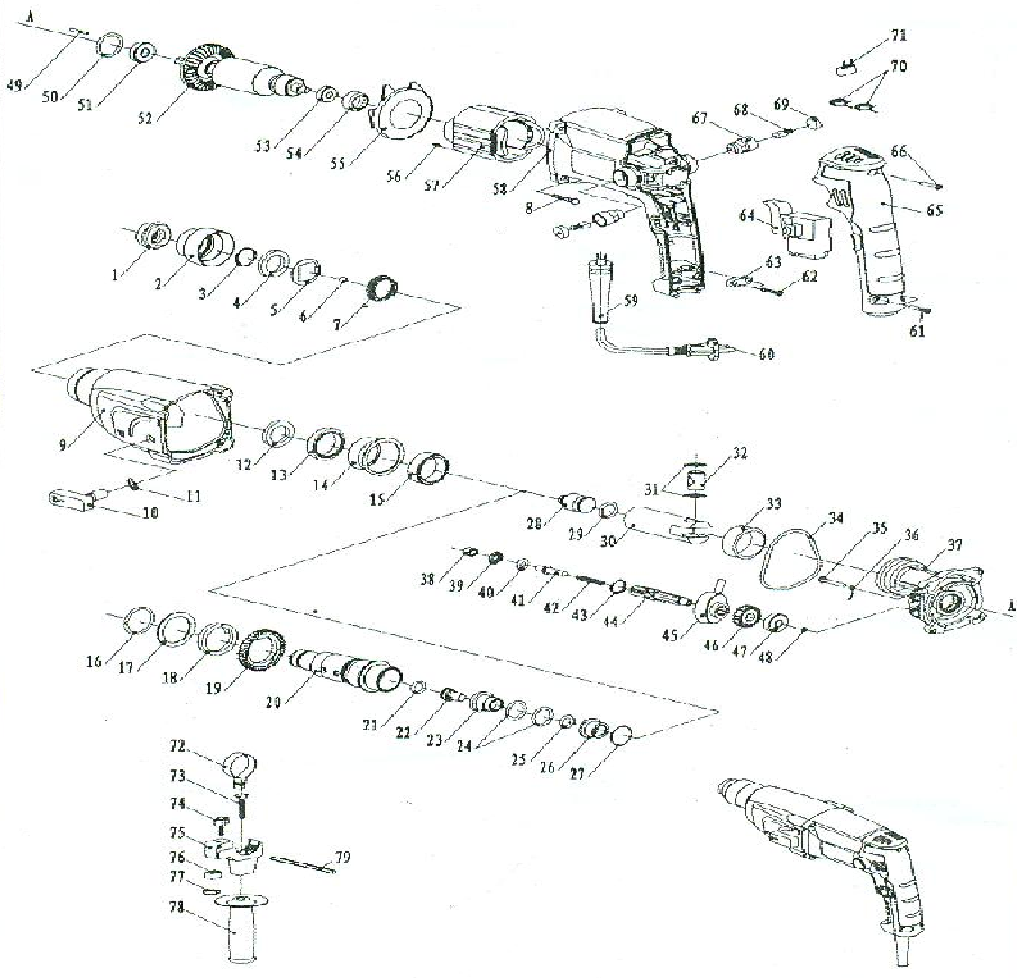


POWER TOOLS

PRO 2020 A - ROTARY HAMMER

Packing	Power	Specifications	Mode
4	700W	20MM	BMC



PRO 2020 A- ROTARY HAMMER

NO.	Name of Spare parts	NO.	Name of Spare parts
1	Rubber Cap	41	Countershalf Pin
2	Steel Frame	42	Countershalf Pin Spring 5.5*1*40
3	Steel Ring 19*1.8	43	Insulate Ring
4	Stop Ring 21.5*31.8*4	44	Counter Shall 10 Tooth
5	back Ring	45	Bearing
6	Ball 7, 14	46	Gear
7	Spring 25-29.5*1.5*27	47	Bearing 608
8	Screw ST4.2*35	48	Ball 5
9	Cylinder House	49	Copper pipe 2*25
10	Button	50	O-Ring 23.5*2.5
11	O-Ring 5.6*2.5	51	Bearing 609
12	Felted Wool Ring 28*37*5	52	Rotor
13	oil seal 28*37*7	53	Bearing 607
14	Bearing Holder	54	Bearing Holder 19*1.5
15	Needle Bearing 3012	55	Stop Wind Ring
16	Steel Ring 26.8*2.5	56	Screws ST2.9 * 10
17	Washer 32*42*3	57	Stator
18	Trip Spring 39.5*3.5*26	58	House Ass'y
19	Gear 46	59	Cable Sheath
20	Cylinder	60	Cable Sheath
21	O-Ring 11*1.5	61	Screws ST4.2 * 12
22	Ram Hammer	62	Screws ST4.2*14
23	High Cover	63	Broad
24	O-Ring 18*3.1	64	Switch
25	O-Ring 10*3.1	65	Handle Cover
26	Low Cover	66	Screws ST4.2*55
27	Steel Ring 27.5*2	67	Brush Holder
28	Hammer	68	brush 5*8*10.5
29	O-Ring 14*3	69	Brush Cover
30	Piston	70	Inductance
31	Piston pin Washer 12*17.8*1.2	71	Capacitance
32	Piston Pin 7*12*19	72	Hoop
33	Steel Cover 30*37*14.5	73	Screw-T Bolt M8*30
34	O-Ring 60*3	74	Screw Bolt M6*20
35	Screws ST4.2*20	75	Bracket
36	Hook Spring	76	Nut Cover
37	Holder	77	HexagonalNut M6
38	Needle Bearing HK0608	78	Auxiliary handle
39	Needle Bearing 6*14*2.5	79	Ruler
40	Needle Bearing Washer 6*14*0.8		