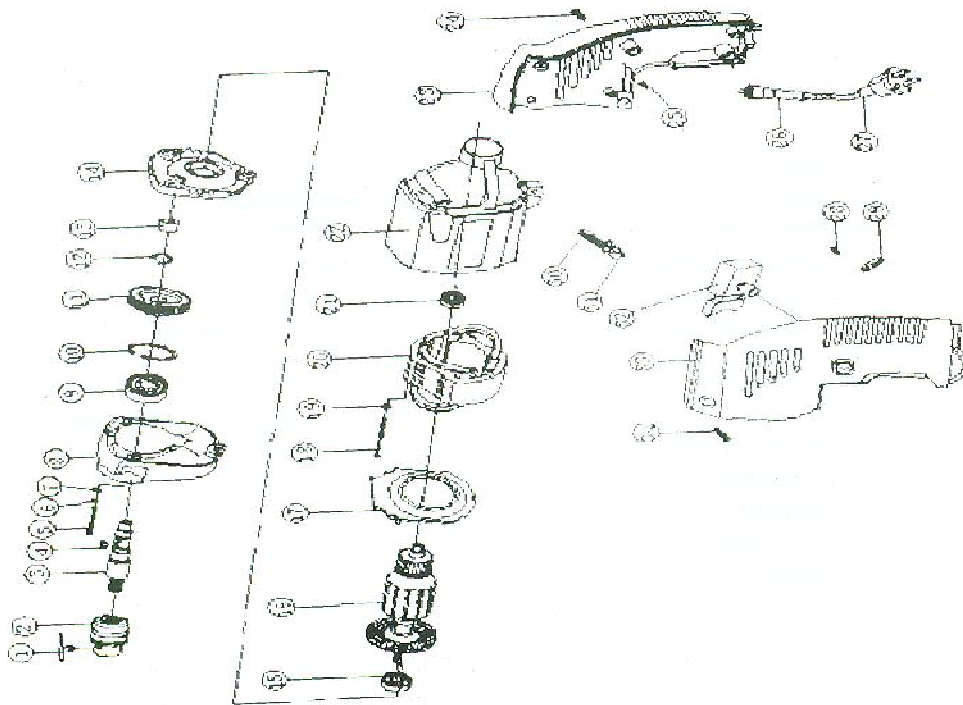


POWER TOOLS

PRO 2311 A - ELECTRIC DRILL

Packing	Power	Specifications	Mode
10	450 W	10 MM	COLOR BOX



PRO 2311 A- ELECTRIC DRILL

NO.	Name of Spare parts
1	Key
2	Chuck
3	Spindle
4	Woodrulf key
5	Tapping screw ST 3.9 x 35
6	4 Spring Washer
7	4 Spring Washer
8	Redcing Gear Box
9	Bearing 6201
10	32 Circlip for holes type A
11	Gear
12	3810 Circlip for holes type A
13	Bearing HK0808
14	Cover Plate
15	Bearing 608
16	Armature
17	Baffle
18	Tapping screw ST 3.9 x 45
19	4 Spring Washer
20	Stator
21	Bearing 626
22	Cabinet
23	Handle
24	Trapping Screw ST 3.9 x 18
25	Trapping Screw ST 3.9 x 14
26	Cord Sleeve
27	Cord
28	Trapping Screw ST3.9 x 16
29	Cable Grip
30	Bush
31	Bush Holder
32	Switch
33	Handle
34	Trapping Screw ST3.9 x 16