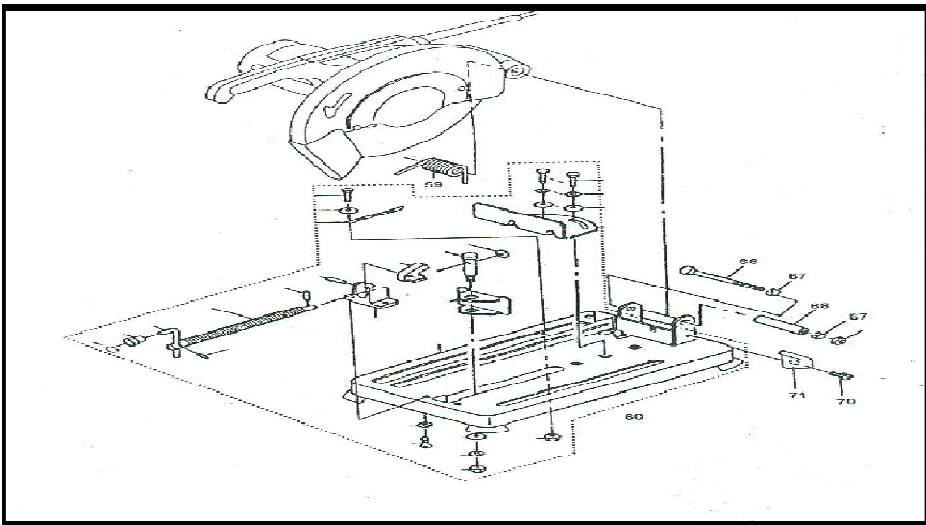
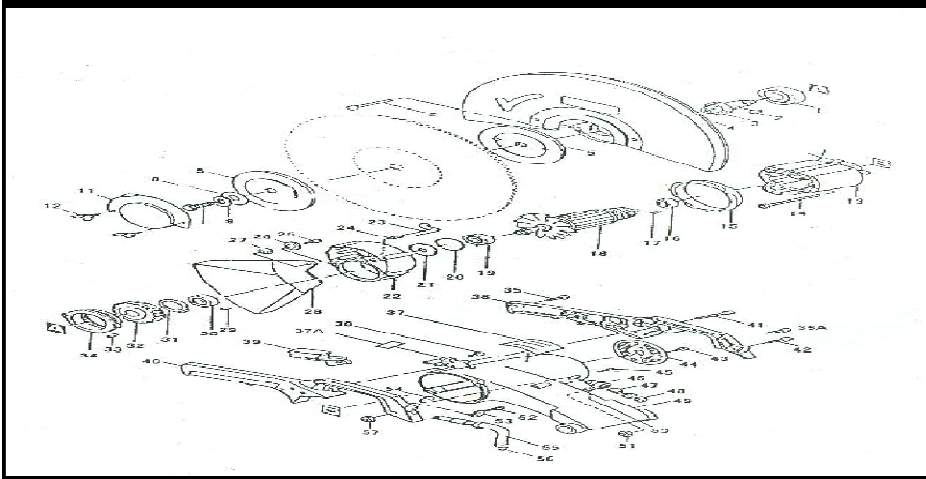


POWER TOOLS

PRO 2355 A - CHOP SAW

Packing	Power	Specifications	Mode
1	2700W	355 MM	COLOR BOX



PRO 2355 A- CHOP SAW

NO.	Name of Spare parts	NO.	Name of Spare parts
1	Ball Bearing 6204 W	41	Pan Head Screw M5 x 52 (with Spring & flat Washer)
2	Woof ruff key	42	Pan Head Screw M5 x 30 (with Spring & flat Washer)
3	Drive Spindle	43	Pan Head Screw M5 x 10 (with Spring & flat Washer)
4	Safety Guard	44	Rear Cover
5	Flange	45	hex. Socket Head Pointless Screw M5 x 8
6	Pan Head Screw M5 x 52 (with spring and Flat Washer)	46	Carbon Brush Holder
7	Washer	47	Carbon Brush
8	Spring Washer	48	Brush Holder Cap
9	hex. Bolt M10 x 20	49	Motor Housing
10	Safety Guard complete	50	Chain Hook Pin
11	Wing Bolt Complete	51	Hex. Lock Nut M6
12	Stator Assembly	52	Pan Head Tapping Screw ST4.2 x 16 (with Flat Washer)
13	Pan Head Screw M5 x 80(with spring and Flat Washer)	53	Strain relief
14	baffle Plate		
15	Ball Bearing 6200ZZ		
16	Rubber Pin		
17	Armature Assembly		
18	Ball Bearing 6202-2Z		
19	O ring		
20	Wave Weather		
21	Gear Housing		
22	Spindle Lock Pin		
23	Compression Spring		
24	hex. Socket Head Screw M6 x 12		
25	Flat Washer		
26	hex. Lock nut M6		
27	Adjustable Guard		
28	Rubber Pin		
29	Ball Bearing 6000ZZ		
30	Circlip for Shaft		
31	Gear		
32	Rubber pin		
33	Gear Housing Cover		
34	Pan Head Tapping Screw St4.2 x 22		
35	Pan head tapping Screw ST4x 18		
36	Handle Set (With Item 40)		
37	Nameplate		
38	pan head Screw M5 x 10 (With Spring and Flat Washer)		
39	Switch		
40	Handle Set (With Item 36)		