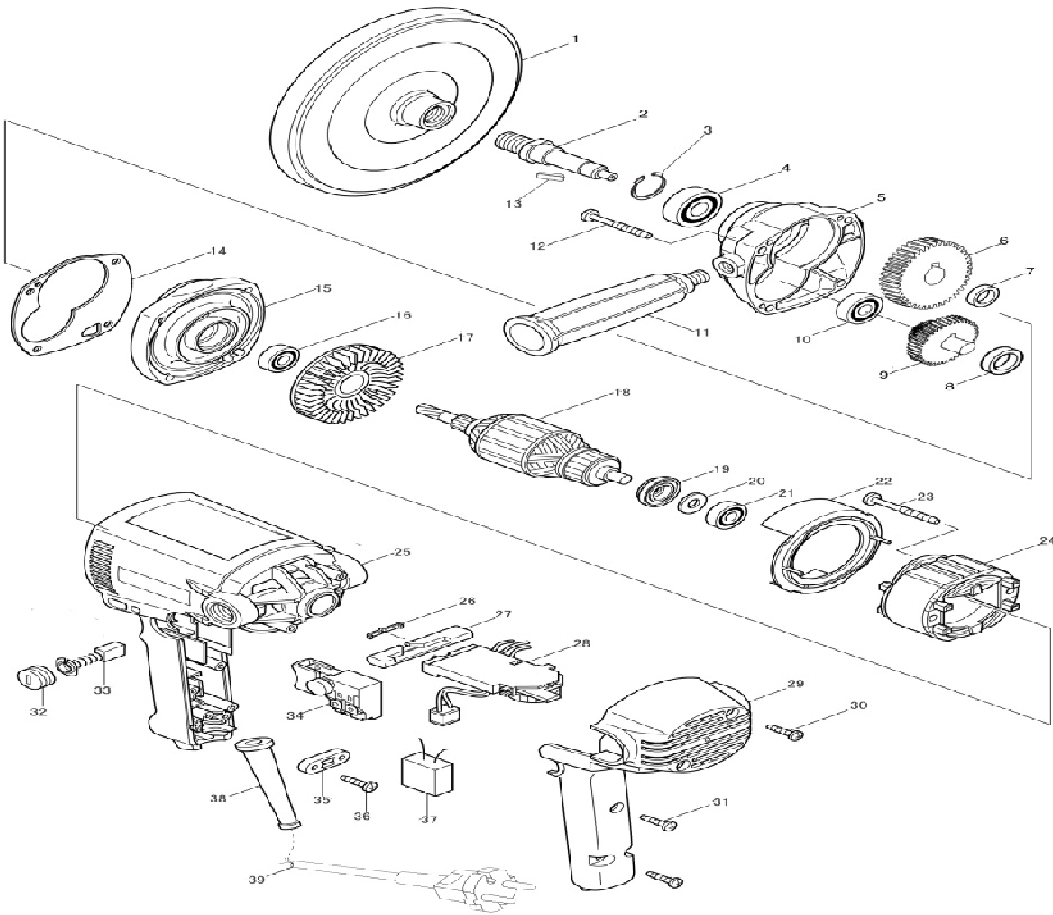


POWER TOOLS

PRO - 3710 A POLISHER (D TYPE)

Packing	Power	Specifications	Mode
3	1200W	7"(6000-200) RPM	BMC



PRO 3710 A- POLISHER (D TYPE)

NO.	Name of Spare parts	
1	1805-YML	wool pad
2	1805-SCZ	output shaft
3	1805-FYQ	oil seal quoit
4	1805-ZC	bearing
5	1805-TK	head case
6	1805-CL	gear
7	1805-KH	clamp spring
8	1805-GZ	roller pin
9	1805-TT	copper sheathing
10	1805-CDCL	drive gear
11	1805-ZC	bearing
12	1805-SB	handle
13	1805-LS	fix screw
14	1805-BYJ	woodruff key
15	1805-ZD	paper washer
16	1805-DWX	locating pin
17	1805-ZJG	Middle cover
18	1805-ZC	bearing
19	1805-FY	fan blade
20	1805-ZZ	armature
21	1805-CQ	magnetosphere
22	1805-ZC	bearing
23	1805-DFQ	fan shroud
24	1805-LS	stator screw
25	1805-DZ	stator
26	1805-JK	frame
27	1805-PH	leaf-spring
28	1805-TG	push bar
29	1805-TSQ	speed governor
30	1805-HG	back cover
31	1805-LS	fix screw
32	1805-SW	brush holoder
33	1805-SWG	brush holoder cap
34	1805-TS	carbon brush
35	1805-KG	switch
36	1805-YXB	crimp terminal
37	1805-LS	fix screw
38	1805-DR	electric capacity
39	1805-HT	sheath
40	1805-DLX	cable