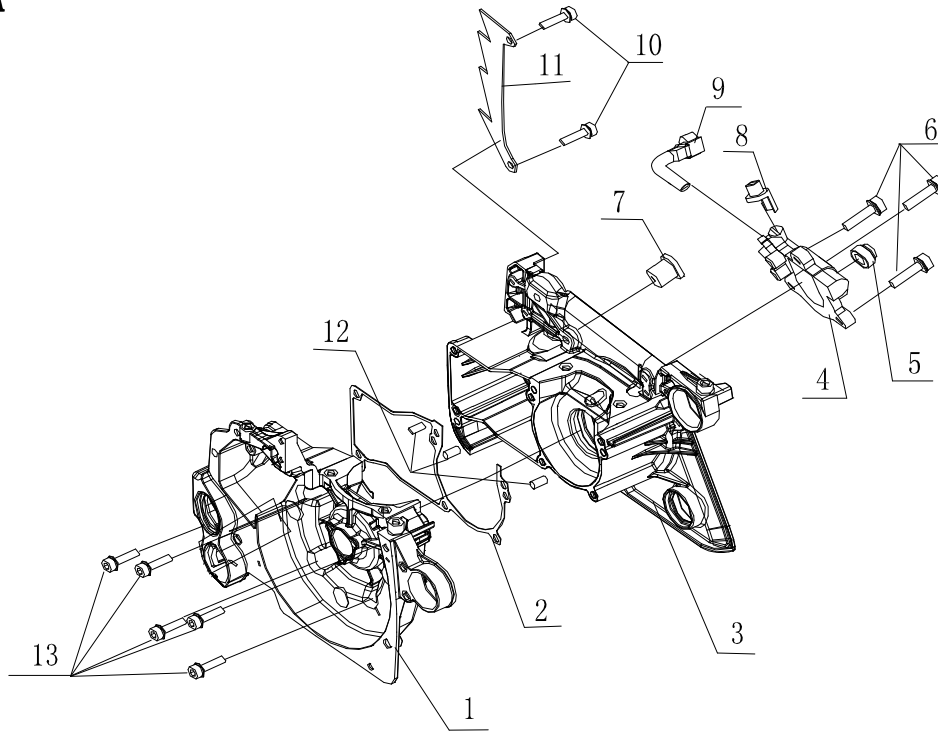


# POWER TOOLS

## PRO - 6524 A CHAIN SAW

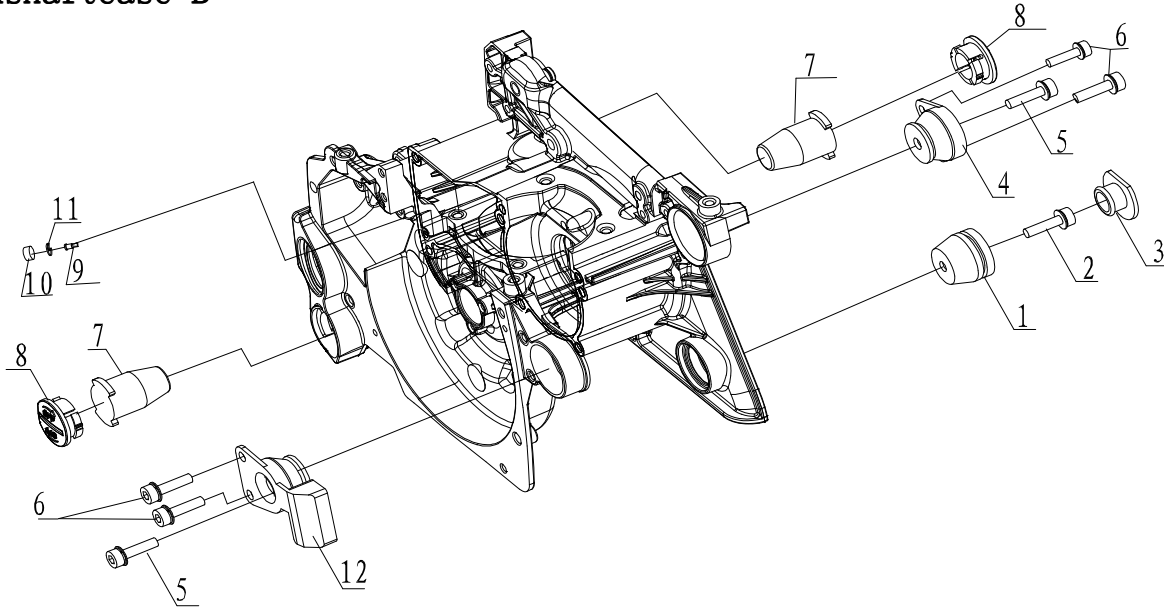
Packing	Power	Specifications	Mode
1		24"	

### Crankshaftcase A



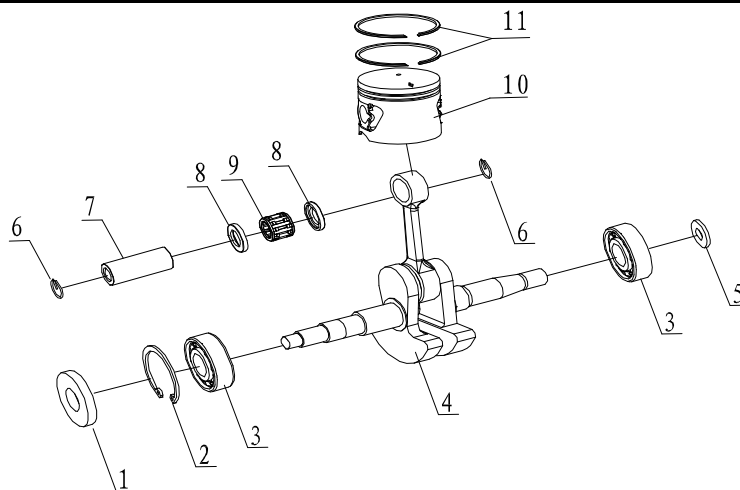
No.	Description
1	Left crankshaftcase
2	Crankshaftcase gasket
3	Right crankshaftcase
4	Oil pump
5	Worm
6	Flower-shaped pan head self-tapping screw M5*15
7	Oil tube seat
8	Oil pump adjust jacket
9	Oil outlet tube
10	Hexagon socket set screws with dog point M5*12
11	Spiked bumper
12	Pin GB/T 119.1 5*10
13	Hexagon socket set screws with dog point M5*20

## Crankshaftcase B



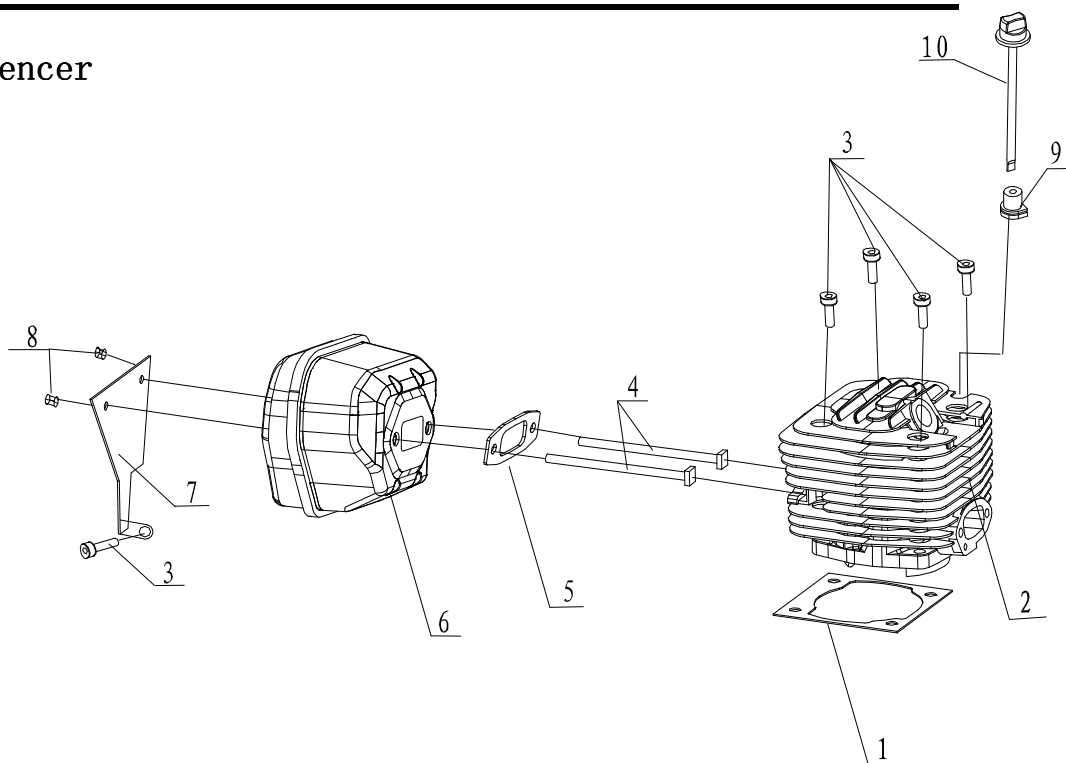
No.	Description
1	Anti-vibration cushion d
2	Hexagon socket set screws with dog point sT4.8*14
3	Cushion d dust cover
4	Right shock absorbing seat
5	Hexagon socket set screws with dog point M6*18
6	Hexagon socket pan head screws with Flower-shaped M5*12
7	Anti-vibration cushion c
8	Anti-vibration cushion c dust cover
9	Aeration nozzle
10	Aeration nozzle sponge
11	Aeration nozzle circlip
12	Left Anti-vibration cushion

## Piston, crankshaft, bearing



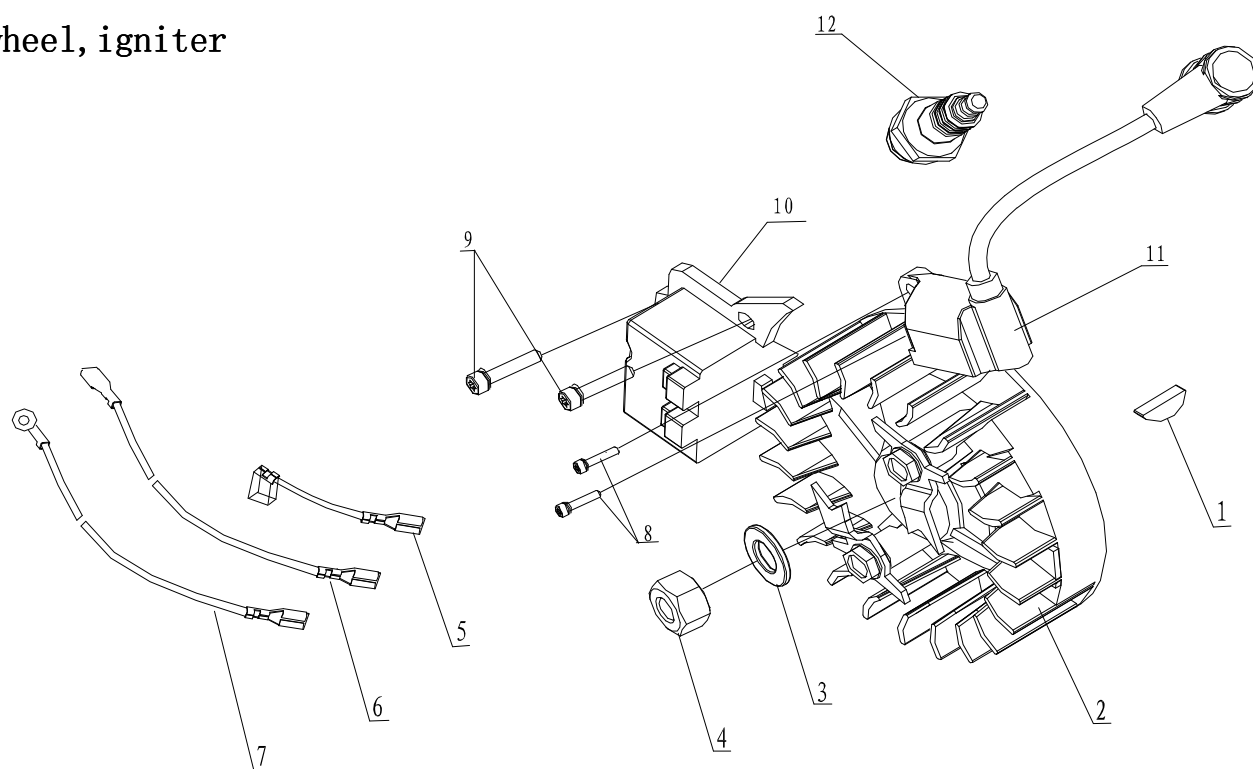
No.	Description
1	Oil seal right 12*35*5
2	Spring washer35
3	Bearing 6202
4	Crankshaft components
5	Oil seal left 15*20*5
6	Piston pin circlip
7	Piston pin
8	Needle bearing ring
9	Needle bearing NA11*15*12.5
10	Piston
11	Piston ring

## Cylinder, silencer



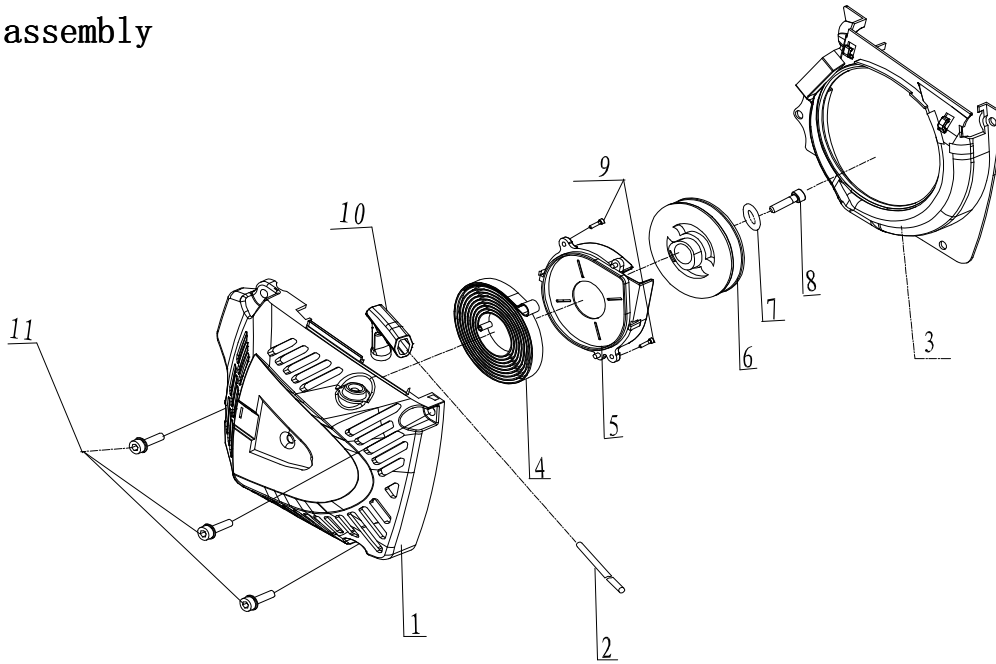
No.	Description
1	Cylinder gasket
2	Cylinder
3	Hexagon socket set screws with dog point M5*20 component
4	Silencer bolt5*72
5	Silencer gasket
6	Silencer
7	Silencer cap
8	Hexagon self-locking nut M5
9	Oil pump adjust rod seat
10	Oil pump adjust rod

## Flywheel, igniter



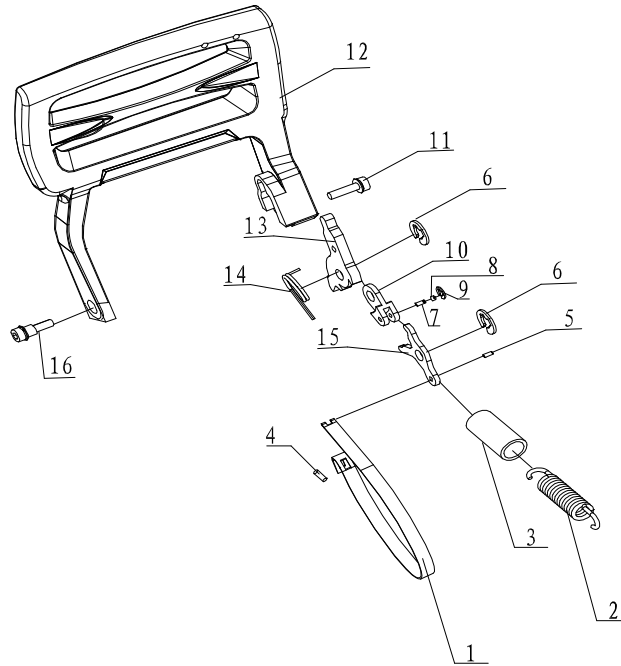
No.	Description
1	Semicircular key 2.9*10
2	Flywheel
3	Spring washer10
4	Nut M10
5	Connector
6	Flameout wire
7	Earthing conductor
8	Hexagon socket set screws with dog point M4*16 component
9	Hexagon socket set screws with dog point M5*16 component
10	Igniter
11	Rate-limiting packet
12	Spark plug LD

## Starter assembly



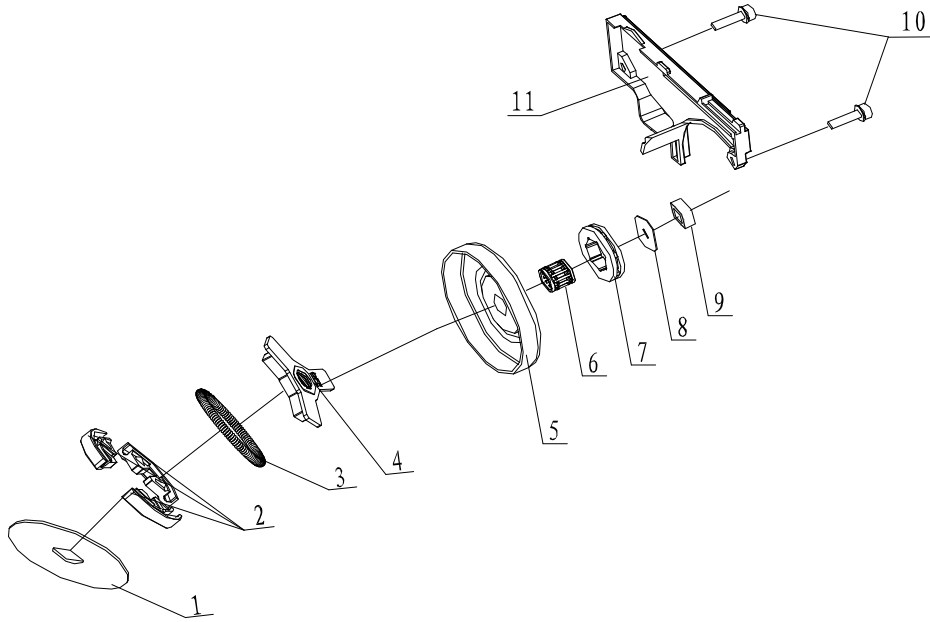
No.	Description
1	Starter cover
2	Start rope
3	Cooling-air mask
4	Coil spring
5	Coil spring shell
6	Starter wheel
7	Plain washer GB/T 96.1 05
8	Flower-shaped pan head screw ST4.8*14
9	Cross recessed pan head screw ST3*10
10	Starting handle
11	Hexagon socket set screws with dog point M5*20 component

Front guard,  
brake system



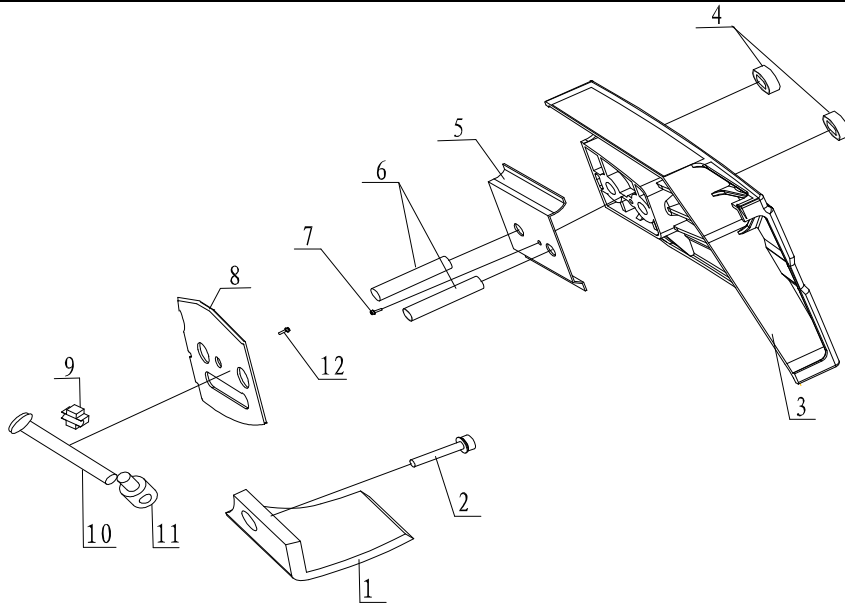
No.	Description
1	Brake belt
2	Brake spring
3	Brake spring sleeve
4	Pin 3*9
5	Brake pin 4*9
6	Open ring 6
7	Secondary pull-rod pin
8	Secondary pull-rod pin bush
9	Open ring 3
10	Secondary pull-rod
11	Hexagon socket set screws with dog point M5*20
12	Front guard
13	Brake control rod
14	Secondary brake spring
15	Main pull-rod
16	Front guard screw

# Clutch



No.	Description
1	Clutch washer
2	Retainer
3	Clutch extension spring
4	Shoe block
5	Clutch shell
6	Needle bearing NA10*14*13
7	Sprocket
8	Washer 22.5*8*2
9	Hexagon nut M8
10	Flower-shaped pan head M5*14
11	Brake spring pressure plate

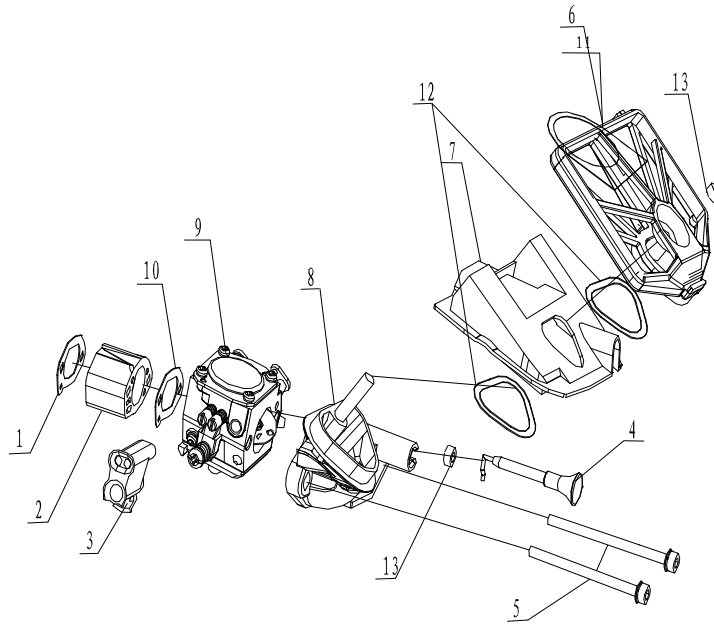
## Right cover



No.	Description
1	Chain guide
2	Flower-shaped pan head screw M5*16
3	Right cover
4	Hexagon screw with flange M8
5	Tightener cover
6	Double-ended stud bolt GB/T899 M8×28-8.8
7	Flower-shaped pan head ST4.2*10
8	Tightening plate
9	Tightening screw stud
10	Tightening screw
11	Tightener
12	Flower-shaped pan head screw M4*10

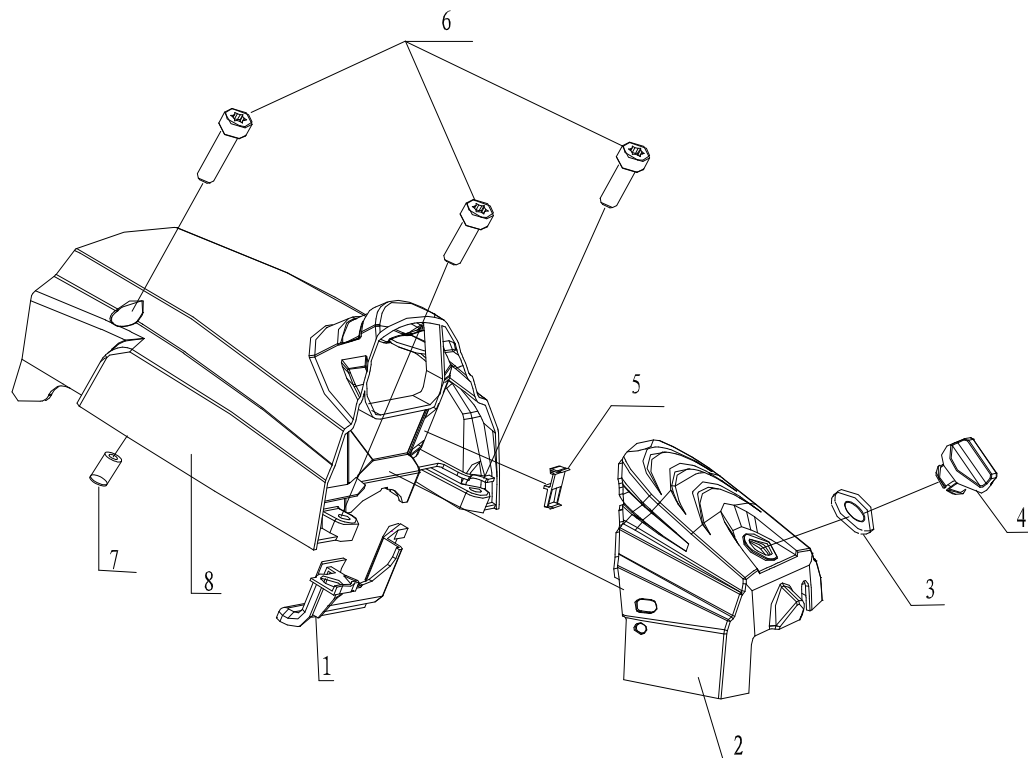


## Carburetor, air filter



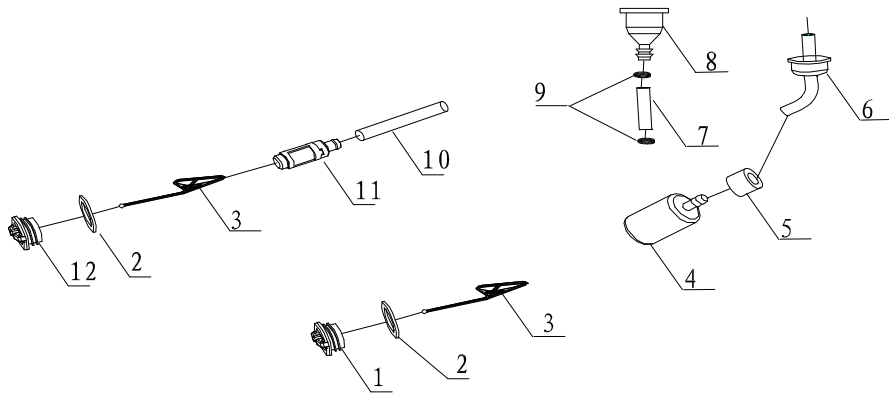
No.	Description
1	Air intake tube support gasket
2	Air intake tube
3	Idle adjusting guide
4	Throttle rod
5	Hexagon socket set screws with dog point M5*80 component
6	Air filter
7	Air filter cooling-air mask
8	Air filter seat
9	Carburetor
10	Carburetor gesket
11	Air filter insert
12	Air filter washer
13	Shock rubber washer

## Big cover, small cover



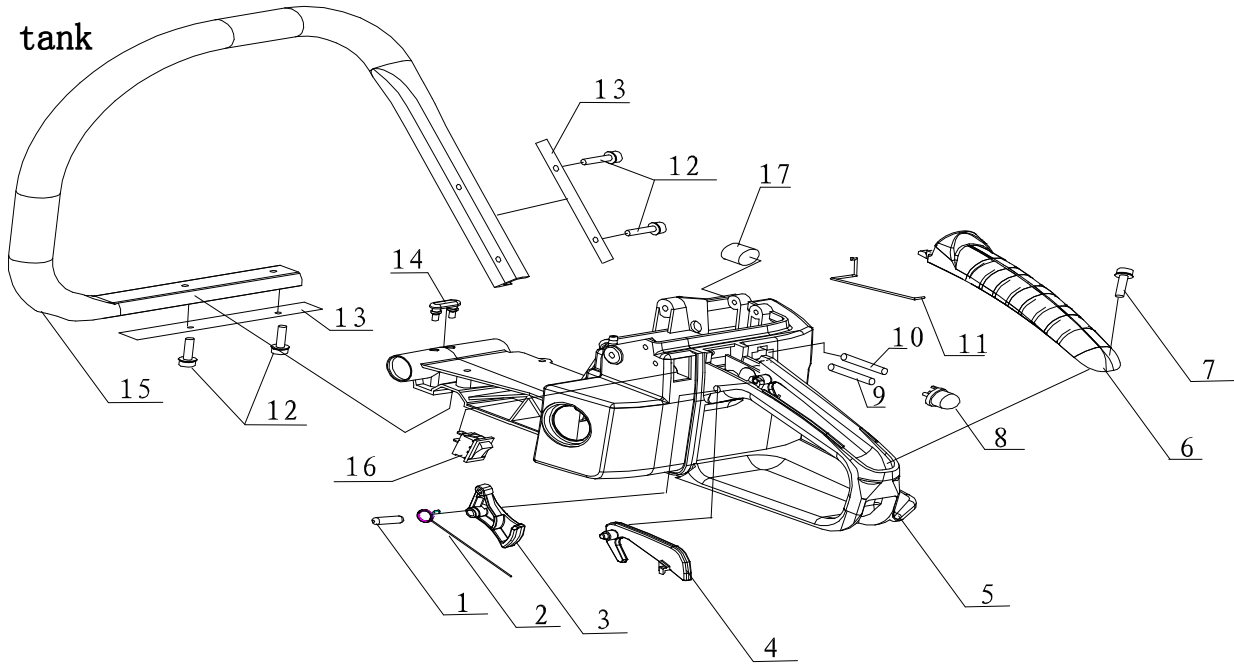
No.	Description
1	Insulating gesket
2	Air filter cover
3	Locknut washer
4	Locknut
5	Winter-summer transfer plate
6	Hexagon socket set screws with dog pointM5*16
7	Shock rubber washer
8	Upper cover plate

Oil feed system, fuel feed system



No.	Description
1	Fuel cap
2	Fuel cap packing washer
3	Fuel cap retainer
4	Fuel filter
5	Weights
6	Fuel tube
7	Fuel tube base
8	Suction tube
9	Balancer component
10	Suction tube circlip
11	Oil tube
12	Oil filter
13	Oil cap

## Fuel tank



No.	Description
1	Pin 6*30
2	Trigger torsion rod spring
3	Trigger
4	Trigger controller
5	Fuel tank
6	Handle cover
7	Flower-shaped pan head screw ST4.8*25
8	Front cover
9	Tube
10	Tube
11	Accelerator rod
12	Flower-shaped pan head screw ST5*16
13	Front handle wash
14	Double-ended pin
15	Front handle
16	Flameout switch
17	Fuel tank anti-vibration rubber