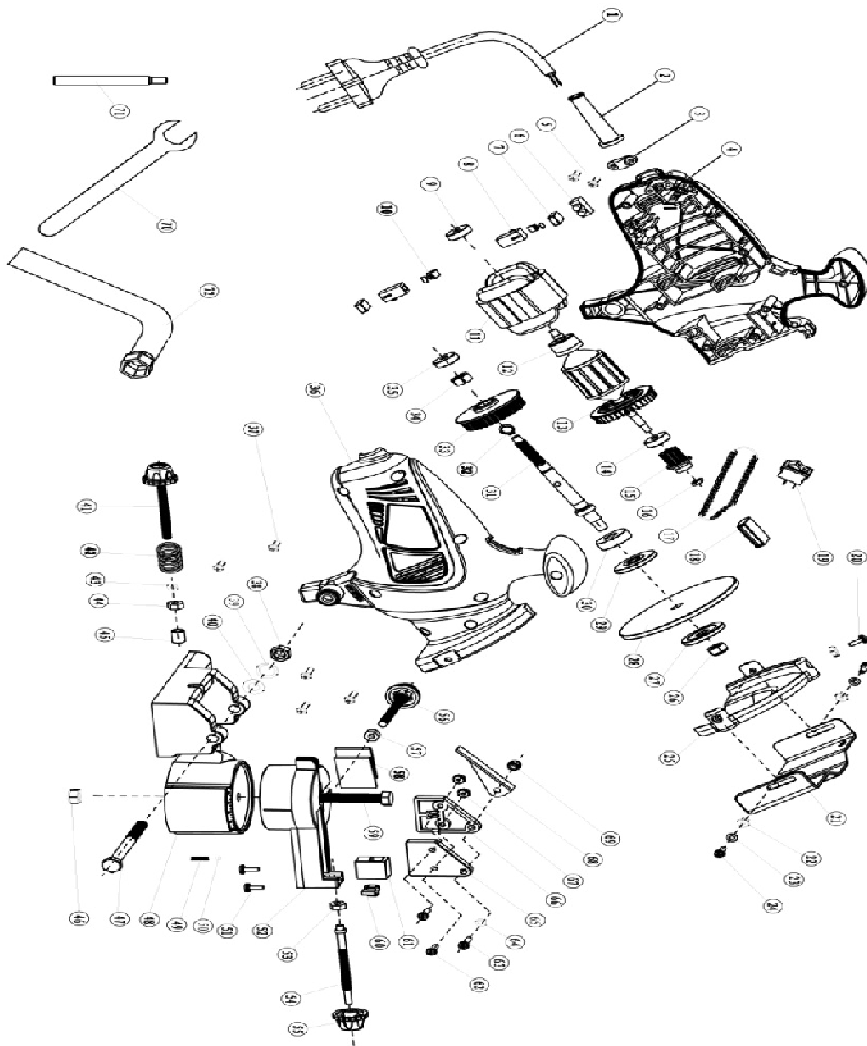


**POWER TOOLS**

**PRO - 7305 A (CHAIN SAW SHARPNER)**

Packing	Power	Specifications	Mode
4	180W	100X10X3.20	COLOR BOX



## CHAIN SHARPENER PARTS LIST

NO.	PARTS NAME	QTY.	NO.	PARTS NAME	QTY.
1	cable	1	40	flat wahser	1
2	cable cover	1	41	grinder angle adjusting screwM6*65	1
3	pressing plate	1	42	tension spring	1
4	left housing	1	43	flat wahser	1
5	ST4.2*16	2	44	M6 square nut (deep 5.0)	1
6	single connection base	1	45	rubber cover	1
7	rubber block	2	46	M8 hexangular locknut	1
8	carbon brush	2	47	M8*100 square bolt	1
9	carbon brush shelf	2	48	base	1
10	motor rear bearing 626	1	49	steel ball spring	1
11	stator	1	50	S4.0 steel ball	1
12	armature	1	51	ST4.2*12 tapping screw	2
13	motor fan	1	52	chain bracket	1
14	motor front bearing 626	1	53	M6 square nut (deep 5.0)	1
15	small strip whee;	1	54	adjusting screw M6	1
16	axis end M5 square nut	1	55	adjusting knob	1
17	transmission strip	1	56	clamp adjusting knob	1
18	capacitor 0.22	1	57	M6六 square nut (deep 5.0)	1
19	switch	1	58	clamp iron	2
20	M4X10 screw	1	59	M8*40 square bolt	1
21	clarity shield	1	60	M6 square bolt fixation base	1
22	M4 square nut	3	61	adorn rubber block	1
23	M4 screw thicken washer	3	62	M4*14 screw	2
24	M4X18 screw	2	63	M5*21 half round bolt	1
25	grinder protecting sheath	1	64	flat wahsr	2
26	M8 locknut	1	65	fixation shelf left	1
27	grinder upper pressing plate	1	66	fixation shelf right	1
28	grinder	1	67	M4 square nut	2
29	grinder lower pressing plate	1	68	iron	1
30	spindle front bearing 6000	1	69	M5 locknut	1
31	ouput axis	1		<b>accessories</b>	
32	ø9 shaft circlip	1	70	stop lock pole	1
33	output strip wheel	1	71	spanner	1
34	M8 square nut	1	72	hexangular sleeve spanner	1
35	spindle rear bearing 626	1			
36	right housing	1			
37	ST4.2*16 tapping screw	8			
38	M8 square nut	1			
39	M8 spring wahsr	1			